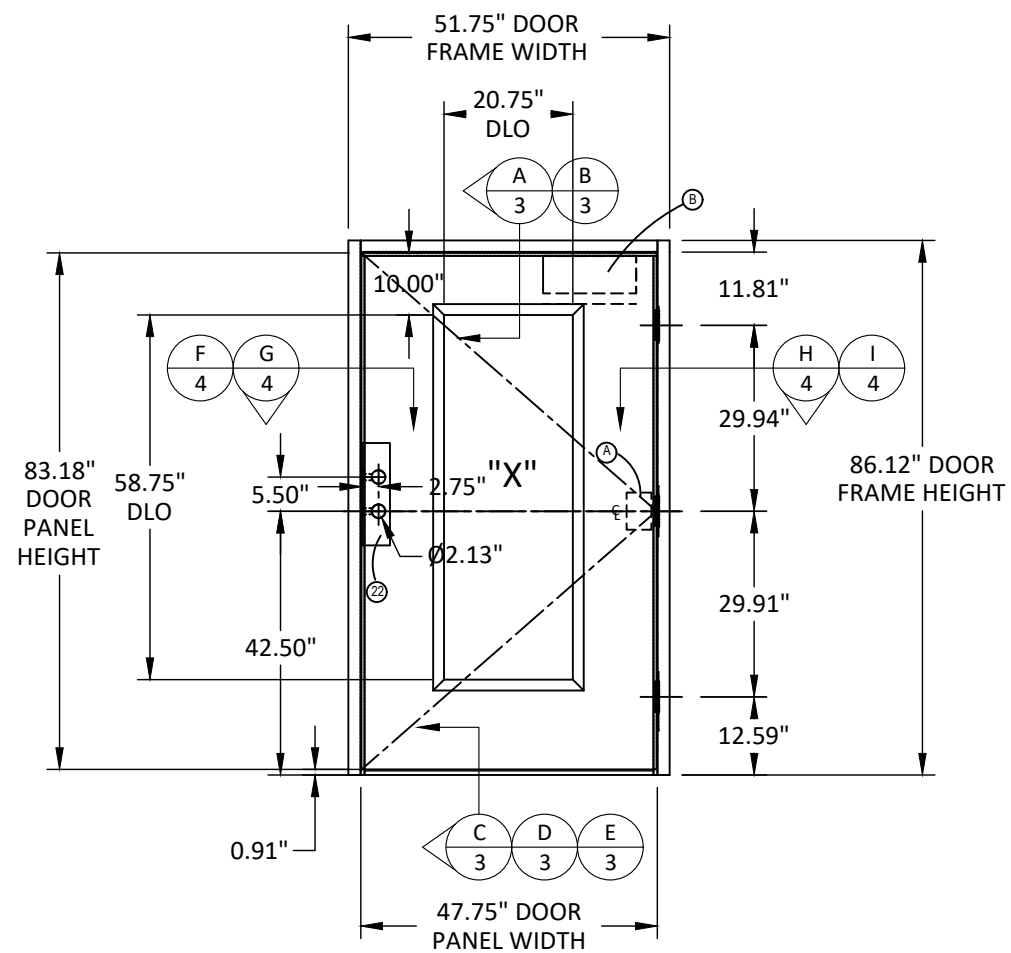
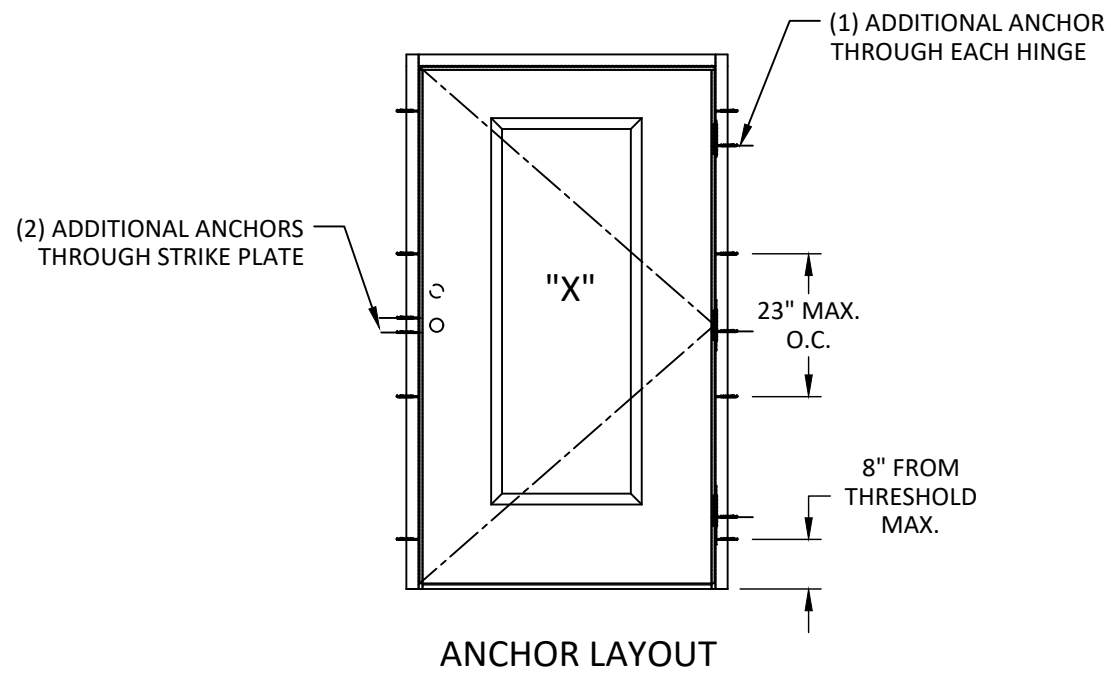


TITLE: SERIES 92TB SINGLE
 INSWING/OUTSWING GLASS
 DOOR W/ LOCK & DEADBOLT
 ELEVATION & ANCHOR LAYOUT

PREPARED BY: BUILDING DROPS, INC.
 398 E. DANIA BEACH BLVD., STE. 338
 DANIA BEACH, FL 33004
 PH: (954) 359-8478
 FAX: (954) 744-4738
 WEB: www.buildingdrops.com



ELEVATION

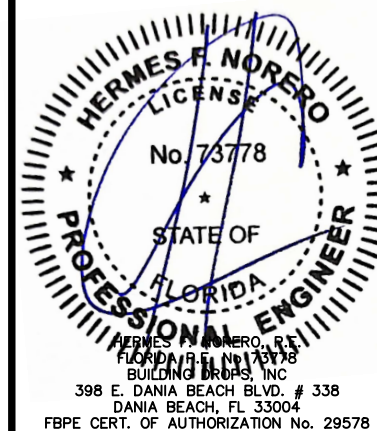


ANCHOR LAYOUT

HARDWARE NOTES:
 A: PANIC BAR REINF. PLATE 4" X 6" 16 GA. STEEL (2)
 B: CLOSER REINF. PLATES 6" X 15" 16 GA. STEEL (2)
 20: LITE KIT FRAME EXTRUSION ALUMINIUM 6063-T5
 23: 1921 WOOD BLOCK

REMARKS	BY	DATE
5TH FBC CODE CHANGE	AM	10.10.16
6TH FBC CODE CHANGE	SM	02.19.18
FBC CODE CHANGE	FB	08.22.23

THE INSTALLATION DETAILS DESCRIBED HEREIN ARE GENERIC AND MAY NOT REFLECT ACTUAL CONDITIONS FOR A SPECIFIC SITE. IF SITE CONDITIONS CAUSE INSTALLATION TO DEVIATE FROM THE REQUIREMENTS DETAILED HEREIN, A LICENSED ENGINEER OR ARCHITECT SHALL PREPARE SITE SPECIFIC DOCUMENTS FOR USE WITH THIS DOCUMENT.



FL #: **FL16841**

DATE: **08.19.13**

DWG. BY: **SSM** CHK. BY: **MS**

SCALE: **NTS**

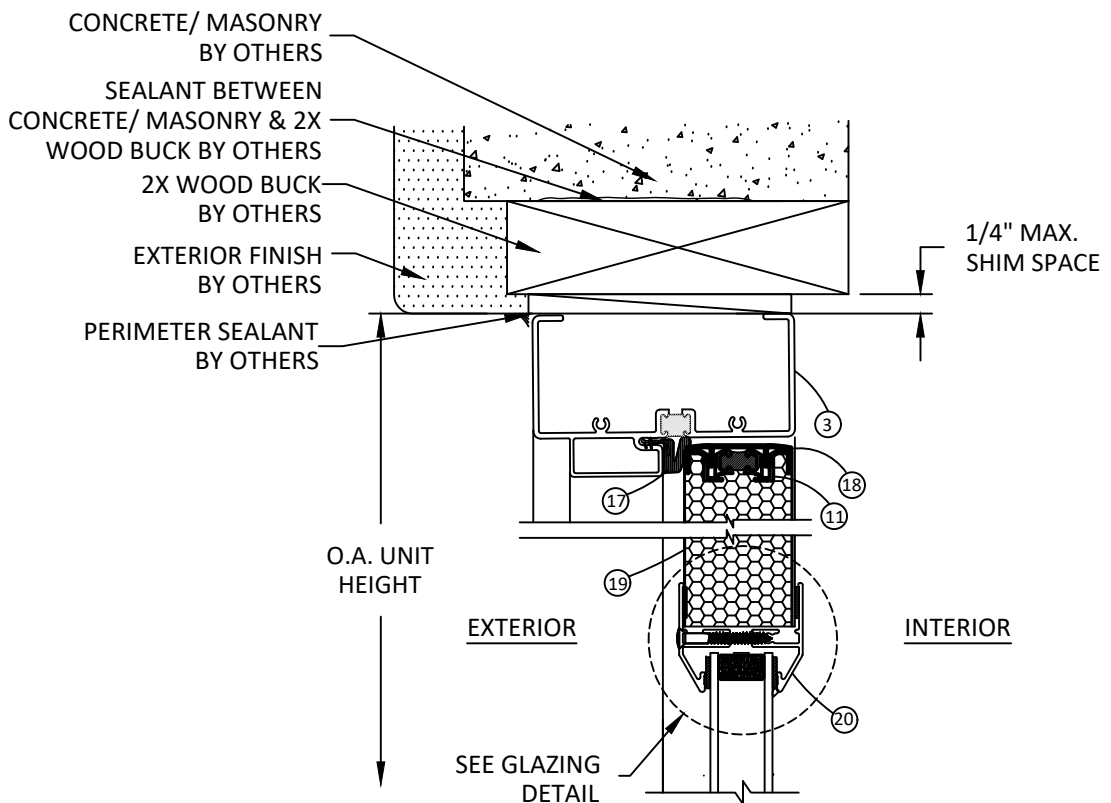
DWG. #: **PC0018**

SHEET

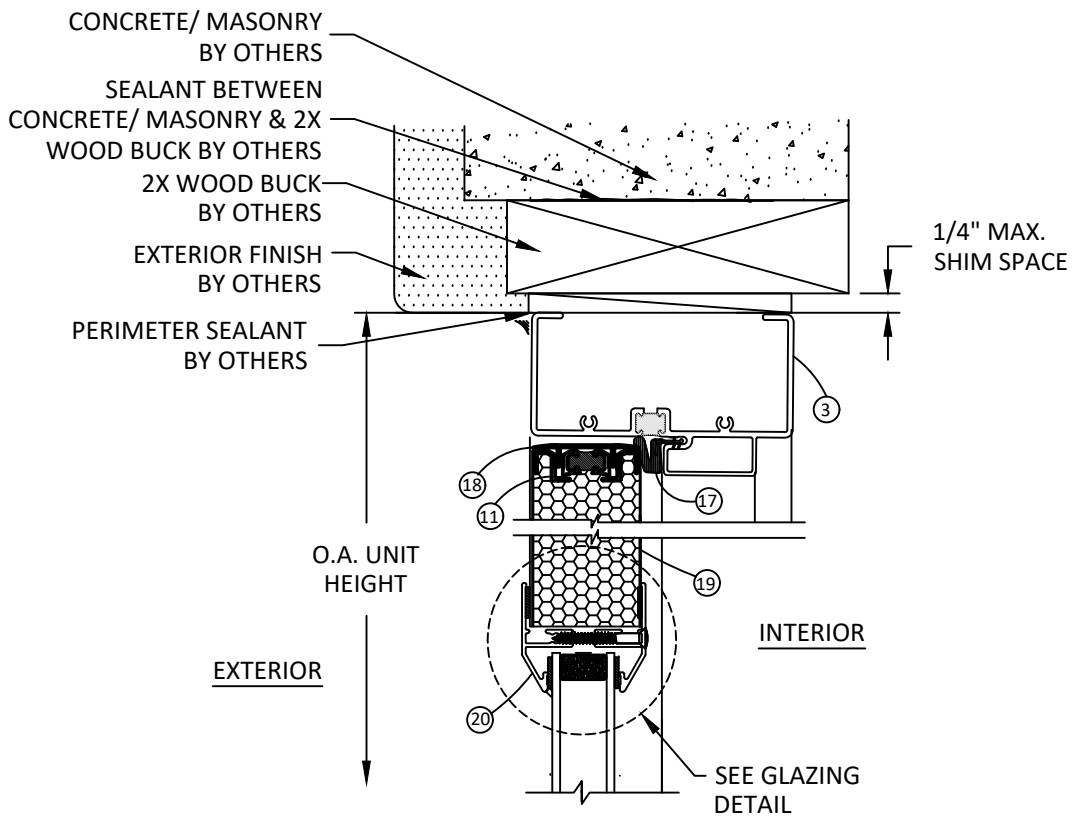
2

9/5/2023 2:07 PM
z:\projects\plyco corp\cc-23-0750.1 - 2023 code change - series 92tb\dwgs\pco018 specimens 1 & 2 new working.dwg

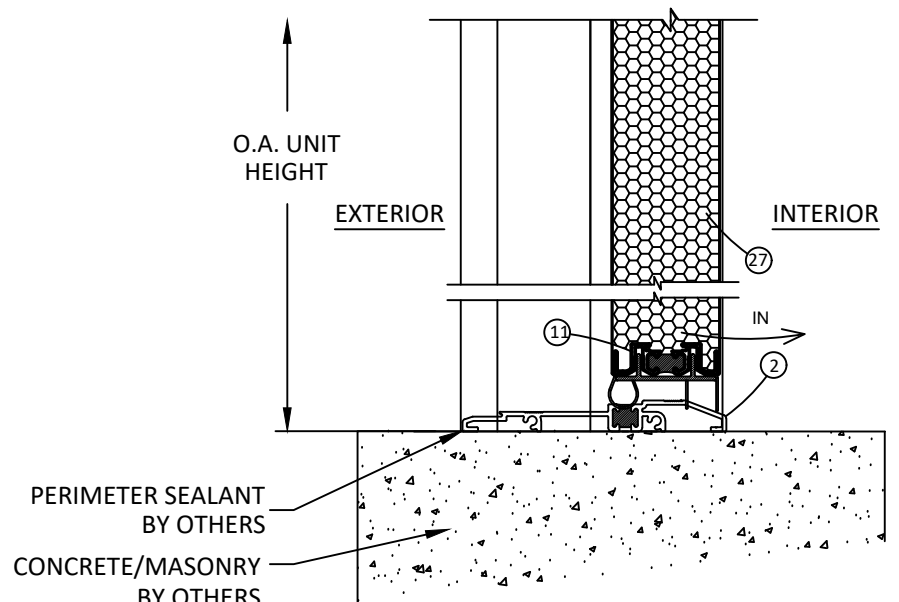
9/5/2023 2:07 PM
z:\projects\plyco corp\cc-23-0750.1 - 2023 code change - series 927b\dwgs\pco018 specimens 1 & 2 new working.dwg



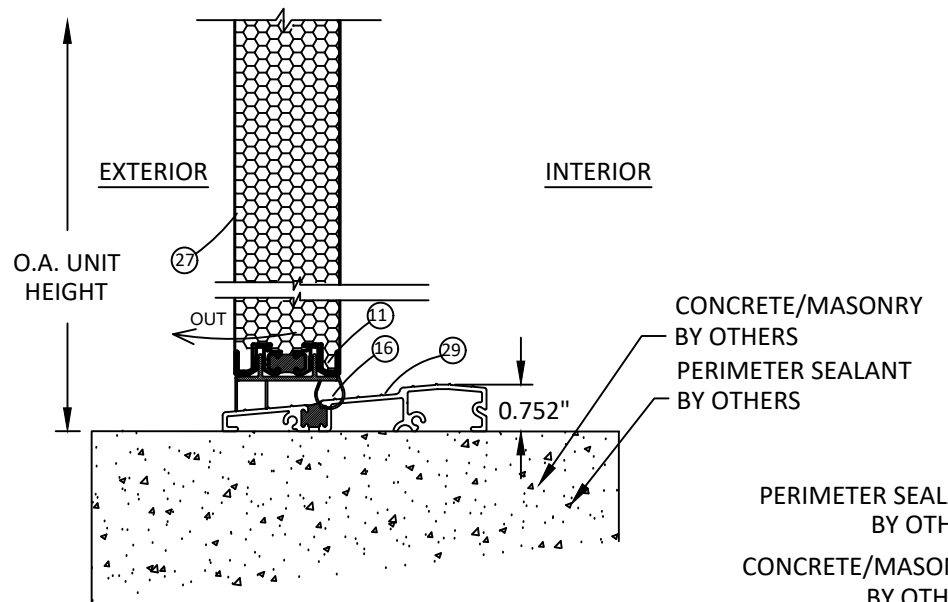
A
3 **VERTICAL SECTION**
HEAD - 2X WOOD BUCK
INSWING DOOR



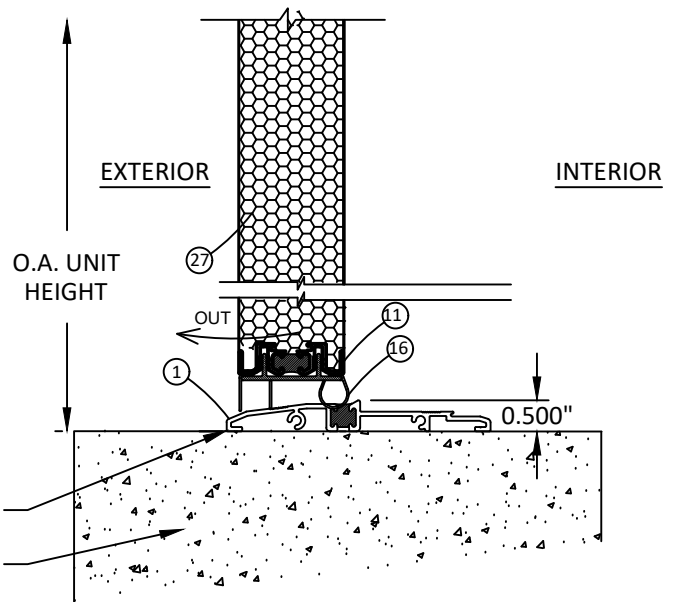
B
3 **VERTICAL SECTION**
HEAD - 2X WOOD BUCK
OUTSWING DOOR



C
3 **VERTICAL SECTION**
SILL - CONCRETE/MASONRY
INSWING DOOR



D
3 **VERTICAL SECTION**
SILL - CONCRETE/MASONRY
OUTSWING DOOR



E
3 **VERTICAL SECTION**
SILL - CONCRETE/MASONRY
OUTSWING DOOR

PLYCO

PLYCO CORPORATION
P.O. BOX 386
500 INDUSTRIAL RD.
ELKHART LAKE, WI, 53020
PH.: (920) 876-3611 FX: (920) 876-3527

TITLE:
SERIES 927B SINGLE
INSWING/OUTSWING GLASS
DOOR W/ LOCK & DEADBOLT
VERTICAL SECTIONS

PREPARED BY:
BUILDING DROPS, INC.
398 E. DANIA BEACH BLVD., STE. 338
DANIA BEACH, FL 33004
PH: (954) 399-8478
FAX: (954) 744-4738
WEB: www.buildingdrops.com



REMARKS	BY	DATE
5TH FBC CODE CHANGE	AM	10.10.16
6TH FBC CODE CHANGE	SM	02.19.18
FBC CODE CHANGE	FB	08.22.23

THE INSTALLATION DETAILS DESCRIBED HEREIN ARE GENERIC AND MAY NOT REFLECT ACTUAL CONDITIONS FOR A SPECIFIC SITE. IF SITE CONDITIONS CAUSE INSTALLATION TO DEVIATE FROM THE REQUIREMENTS DETAILED HEREIN, A LICENSED ENGINEER OR ARCHITECT SHALL PREPARE SITE SPECIFIC DOCUMENTS FOR USE WITH THIS DOCUMENT.



FL #: **FL16841**

DATE: **08.19.13**

DWG. BY: **SSM** CHK. BY: **MS**

SCALE: **NTS**

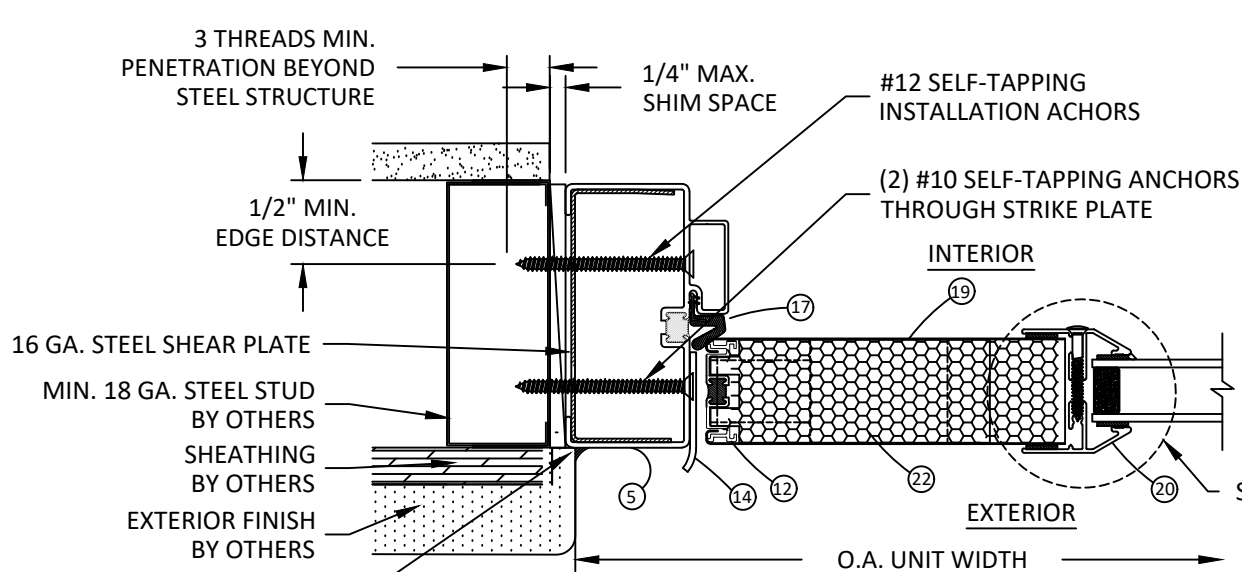
DWG. #: **PCO018**

SHEET

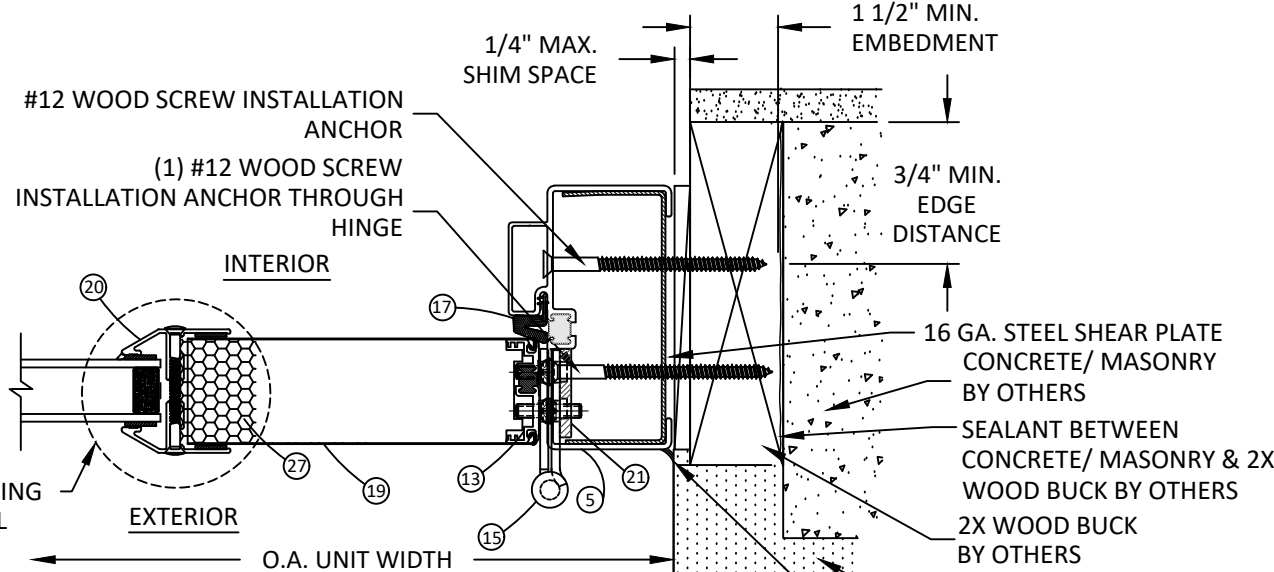
3

TITLE: **SERIES 92TB SINGLE INSWING/OUTSWING GLASS DOOR W/ LOCK & DEADBOLT HORIZONTAL SECTIONS**

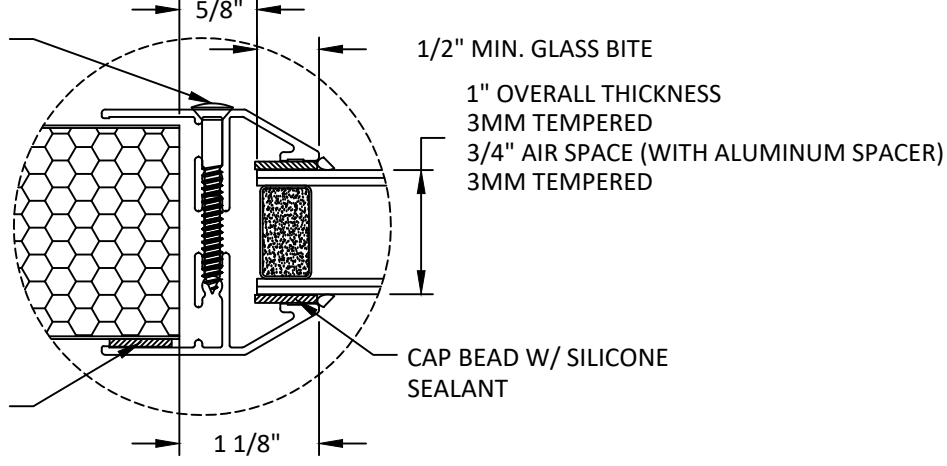
PREPARED BY: **BUILDING DROPS, INC.**
 398 E. DANIA BEACH BLVD., STE. 338
 DANIA BEACH, FL 33004
 PH: (954) 399-8478
 FAX: (954) 744-4738
 WEB: www.buildingdrops.com



F
4
HORIZONTAL SECTION
 JAMB - STEEL STUD, TYP. OUTSWING DOOR

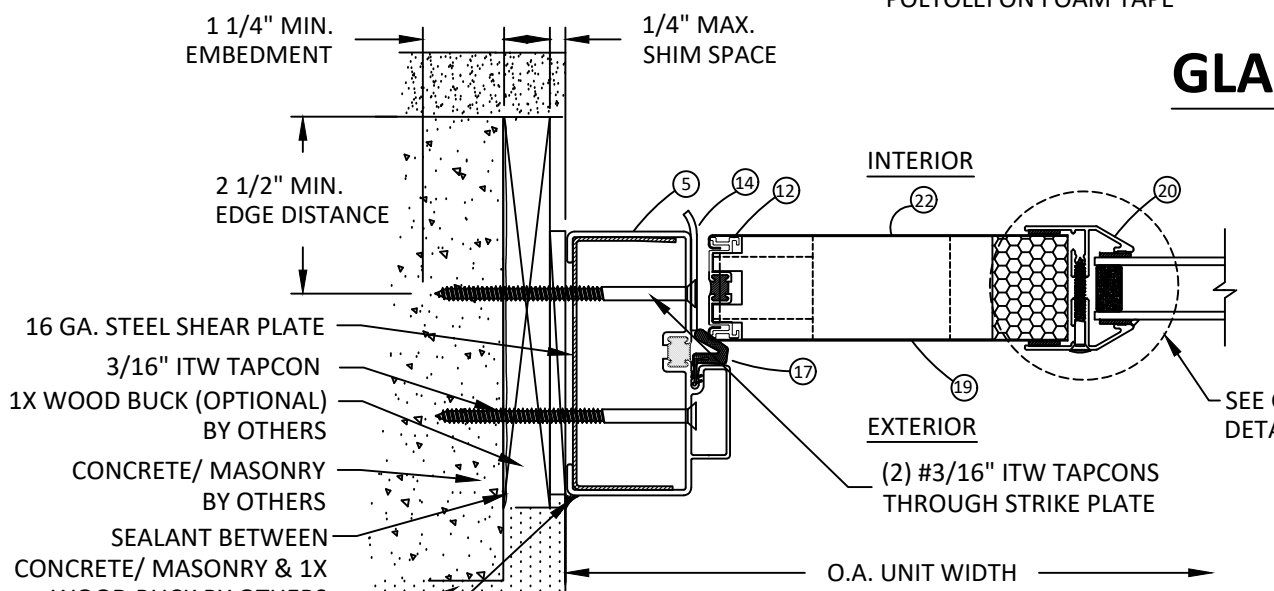


G
4
HORIZONTAL SECTION
 JAMB - 2X WOOD BUCK, TYP. OUTSWING DOOR

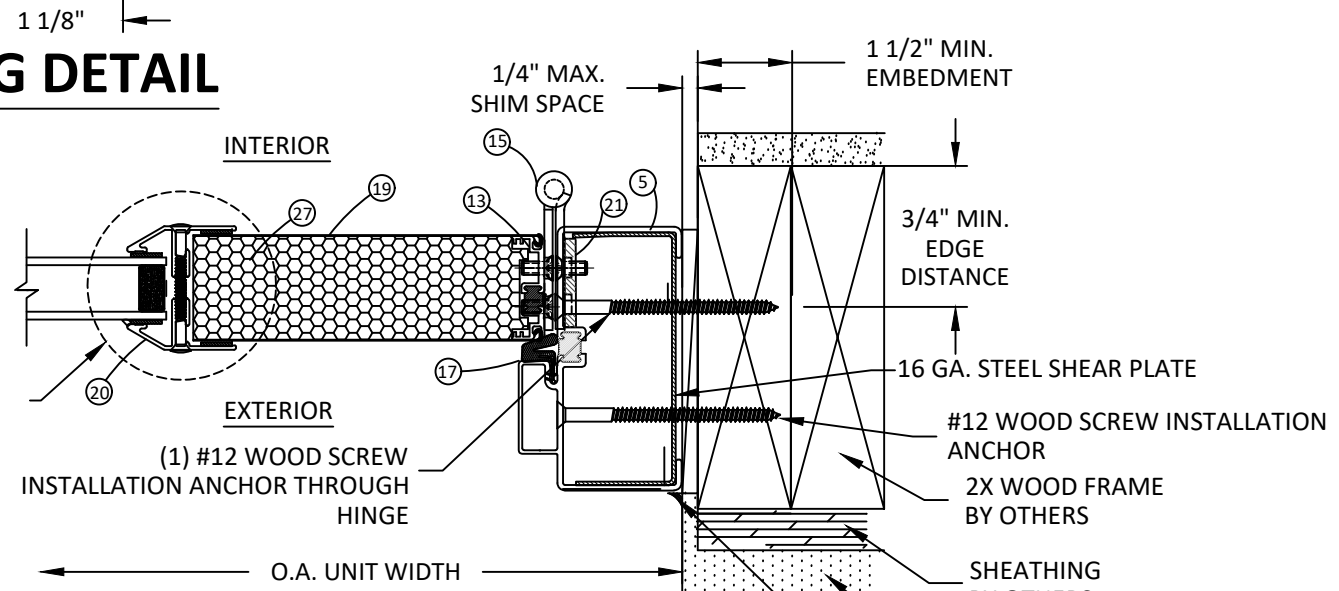


GLAZING DETAIL

NOTE:
 GLASS THICKNESS AND TYPE SHALL COMPLY WITH ASTM E 1300 GLASS CHART REQUIREMENTS AND REQUIREMENTS SET FORTH IN THE CURRENT FLORIDA BUILDING CODE.



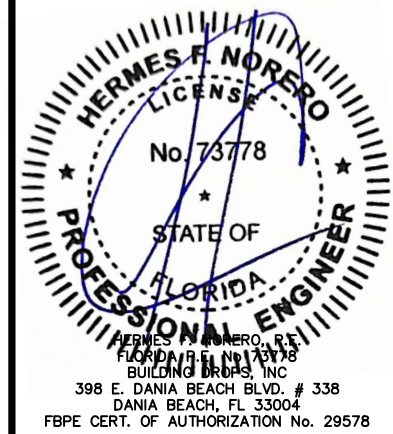
H
4
HORIZONTAL SECTION
 JAMB - MASONRY, CONCRETE, TYP. INSWING DOOR



I
4
HORIZONTAL SECTION
 JAMB - 2X WOOD FRAME, TYP. INSWING DOOR

REMARKS	BY	DATE
5TH FBC CODE CHANGE	AM	10.10.16
6TH FBC CODE CHANGE	SM	02.19.18
FBC CODE CHANGE	FB	08.22.23

THE INSTALLATION DETAILS DESCRIBED HEREIN ARE GENERIC AND MAY NOT REFLECT ACTUAL CONDITIONS FOR A SPECIFIC SITE. IF SITE CONDITIONS CAUSE INSTALLATION TO DEVIATE FROM THE REQUIREMENTS DETAILED HEREIN, A LICENSED ENGINEER OR ARCHITECT SHALL PREPARE SITE SPECIFIC DOCUMENTS FOR USE WITH THIS DOCUMENT.



FL #: **FL16841**

DATE: **08.19.13**

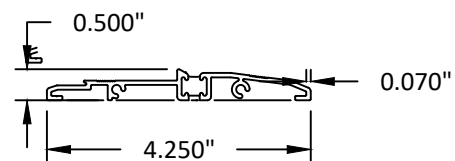
DWG. BY: SSM	CHK. BY: MS
SCALE: NTS	
DWG. #: PCO018	

SHEET

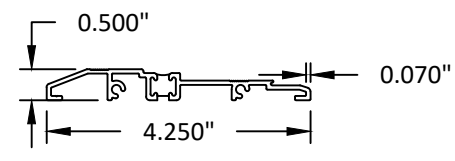
9/5/2023 2:07 PM
z:\projects\plyco corp\cc-23-0750.1 - 2023 code change - series 927b\dwgs\pco018 specimens 1 & 2 new working.dwg

BILL OF MATERIALS				
ITEM #	DESCRIPTION	PART #	MATERIAL	MANUFACTURER
1	FRAME SILL - OUT	HM-23811	6063-T5	PLYCO
2	FRAME SILL - IN	HM-23812	6063-T5	PLYCO
3	FRAME HEAD	1516	6063-T5	PLYCO
4	(NOT USED)	-	-	-
5	FRAME JAMB - 4.25"	1913	6005-T5	PLYCO
6	FRAME JAMB - 6.25"	1916	6005-T5	PLYCO
7	FRAME JAMB - 8.25"	1917	6005-T5	PLYCO
8	FRAME JAMB EXT. - 8.25"	1918	6005-T5	PLYCO
9	HEAD EXTENSION	1517	6063-T5	PLYCO
10	HEAD EXTENSION	1518	6063-T5	PLYCO
11	HEAD & SILL RAIL	1905	6063-T5	PLYCO
12	STRIKE RAIL	1899	6063-T5	PLYCO
13	HINGE RAIL	1900	6063-T5	PLYCO
14	STRIKE PLATE	1610-C	STAINLESS	PLYCO
15	4.5" BUTT HINGE	1500	STAINLESS	PLYCO
16	DOOR SWEEP	1852-B	PVC-ALCRYN	LOXSCREEN
17	WEATHERSTRIPPING	QEED650	Q-LON/FOAM	SCHLEGEL
18	DOOR CAP	1883	RIGID PVC	PLYCO
19	PANEL SKIN		.021" GALV. STL.	PLYCO
20	LITE KIT FRAME	HM-23323	6063-T5	PLYCO
21	HINGE REINFM'T	1288	6063-T5	PLYCO
22	LOCK BLOCK	1921	WOOD BLOCK	PLYCO
23	LOCK BLOCK M1	1922	WOOD BLOCK	PLYCO
24	LOCKSET	500HV	STEEL	ADVANTAGE
25	DEADBOLT	B60N	STEEL	SCHLAGE
26	MORTISE LOCK	720ME	STEEL	ADVANTAGE
27	PANEL CORE	134A	POLYURETHANE	FOAM SUPPLIES
28	SHEAR PLATE			PLYCO
29	FRAME SILL - OUT	2062	6063-T5	ASTROSHAPES

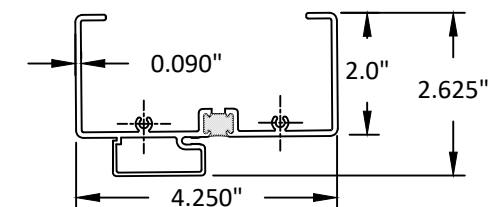
1 FRAME SILL - OUT ALUMINUM 6063-T5



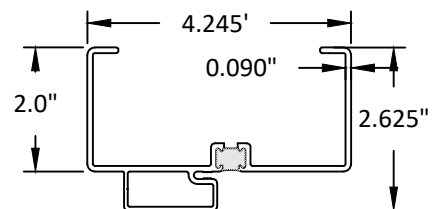
2 FRAME SILL - IN ALUMINUM 6063-T5



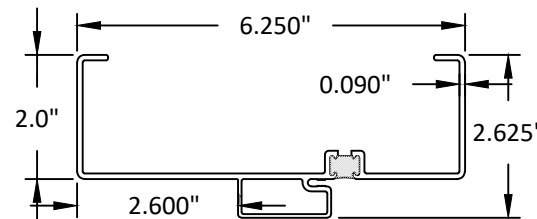
3 FRAME HEAD ALUMINUM 6063-T5



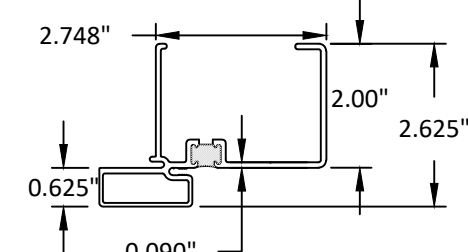
5 FRAME JAMB - 4.25\"/>



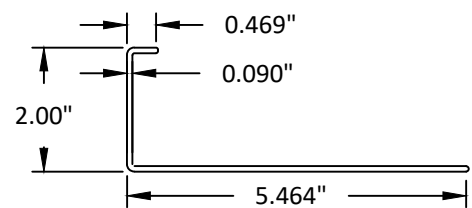
6 FRAME JAMB - 6.25\"/>



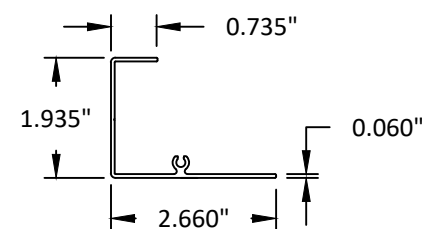
7 FRAME JAMB - 8.25\"/>



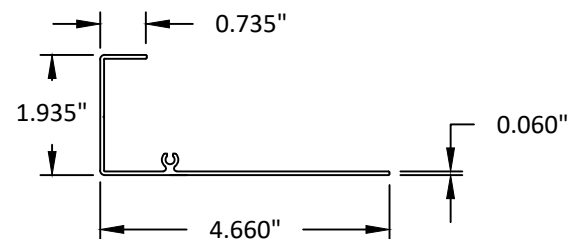
8 FRAME JAMB EXTENSION - 8.25\"/>



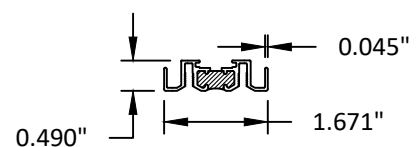
9 HEAD EXTENSION ALUMINUM 6063-T5



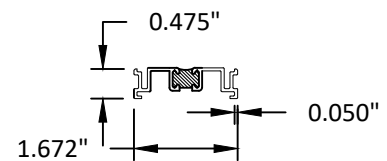
10 HEAD EXTENSION ALUMINUM 6063-T5



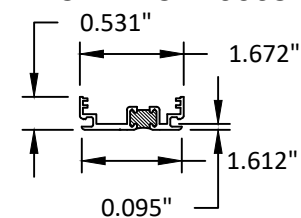
11 HEAD & SILL RAIL ALUMINUM 6063-T5



12 STRIKE RAIL ALUMINUM 6063-T5



13 HINGE RAIL ALUMINUM 6063-T5



PLYCO

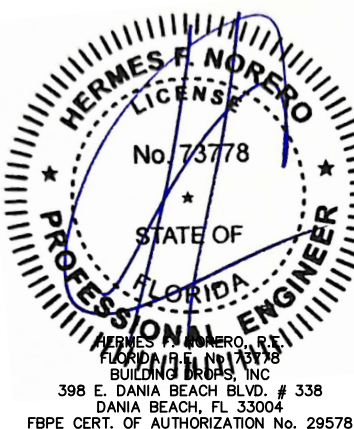
PLYCO CORPORATION
P.O. BOX 386
500 INDUSTRIAL RD.
ELKHART LAKE, WI, 53020
PH.: (920) 876-3611 FX: (920) 876-3527

TITLE: SERIES 927B SINGLE INSWING/OUTSWING GLASS DOOR W/ LOCK & DEADBOLT COMPONENTS & BILL OF MATERIALS

PREPARED BY: BUILDING DROPS, INC.
398 E. DANIA BEACH BLVD., STE. 338
DANIA BEACH, FL 33004
PH: (954) 399-8478
FAX: (954) 744-4738
WEB: www.buildingdrops.com

REMARKS	BY	DATE
5TH FBC CODE CHANGE	AM	10.10.16
6TH FBC CODE CHANGE	SM	02.19.18
FBC CODE CHANGE	FB	08.22.23

THE INSTALLATION DETAILS DESCRIBED HEREIN ARE GENERIC AND MAY NOT REFLECT ACTUAL CONDITIONS FOR A SPECIFIC SITE. IF SITE CONDITIONS CAUSE INSTALLATION TO DEVIATE FROM THE REQUIREMENTS DETAILED HEREIN, A LICENSED ENGINEER OR ARCHITECT SHALL PREPARE SITE SPECIFIC DOCUMENTS FOR USE WITH THIS DOCUMENT.



FL #: **FL16841**

DATE: **08.19.13**

DWG. BY: **SSM** CHK. BY: **MS**

SCALE: **NTS**

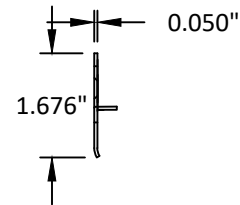
DWG. #: **PCO018**

SHEET

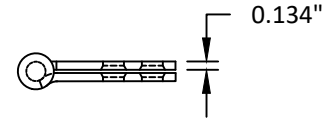
5

9/5/2023 2:07 PM
z:\projects\plyco corp\cc-23-0750.1 - 2023 code change - series 927b\dwg\pc0018 specimens 1 & 2 new working.dwg

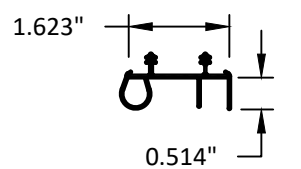
14 STRIKE PLATE
STAINLESS



15 4.5" BUTT HINGE
STAINLESS



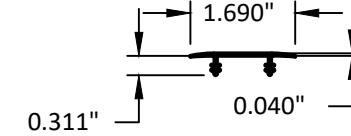
16 DOOR SWEEP
PVC-ALCRYN



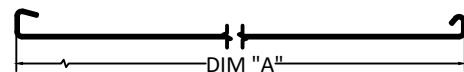
17 WEATHERSTRIPPING
Q-LON/FOAM



18 DOOR CAP
RIGID PVC

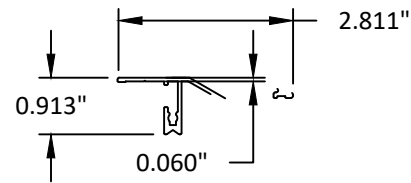


19 PANEL SKIN
.021" GALV. STL.

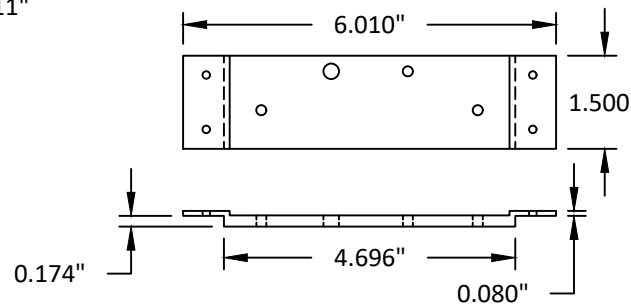


DIM "A"	
PANEL SIZE	SKIN SIZE
2'-4"	27.70"
2'-6"	29.70"
2'-8"	31.70"
3'-0"	35.70"
3'-6"	41.70"
4'-0"	47.70"

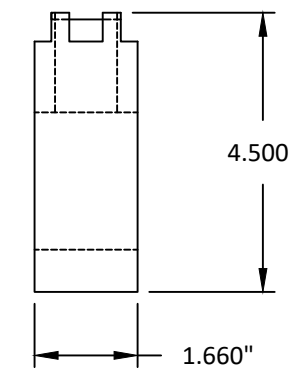
20 LITE KIT FRAME
ALUMINUM 6063-T5



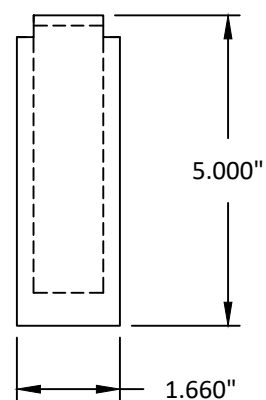
21 HINGE REINFORCEMENT
ALUMINUM 6063-T5



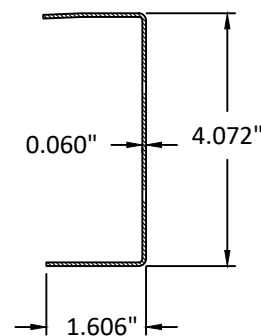
22 LOCK BLOCK
WOOD BLOCK



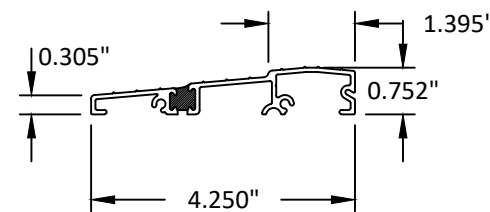
23 LOCK BLOCK M1
WOOD BLOCK



28 SHEAR PLATE
16 GA. STEEL



29 FRAME SILL - OUT
6063-T5



PLYCO

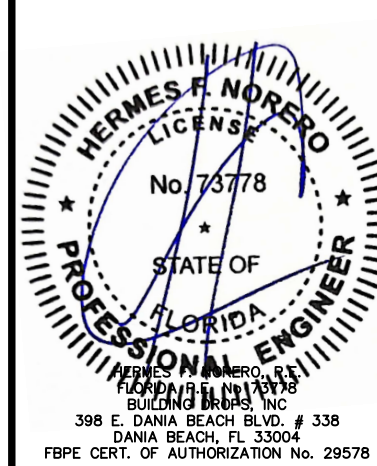
PLYCO CORPORATION
P.O. BOX 386
500 INDUSTRIAL RD.
ELKHART LAKE, WI, 53020
PH.: (920) 876-3611 FX: (920) 876-3527

TITLE: SERIES 927B SINGLE
INSWING/OUTSWING GLASS
DOOR W/ LOCK & DEADBOLT
COMPONENTS (CONTINUED)

PREPARED BY: BUILDING DROPS, INC.
398 E. DANIA BEACH BLVD., STE. 338
DANIA BEACH, FL 33004
PH: (954) 359-8478
FAX: (954) 744-4738
WEB: www.buildingdrops.com

REMARKS	BY	DATE
5TH FBC CODE CHANGE	AM	10.10.16
6TH FBC CODE CHANGE	SM	02.19.18
FBC CODE CHANGE	FB	08.22.23

THE INSTALLATION DETAILS DESCRIBED HEREIN ARE GENERIC AND MAY NOT REFLECT ACTUAL CONDITIONS FOR A SPECIFIC SITE. IF SITE CONDITIONS CAUSE INSTALLATION TO DEVIATE FROM THE REQUIREMENTS DETAILED HEREIN, A LICENSED ENGINEER OR ARCHITECT SHALL PREPARE SITE SPECIFIC DOCUMENTS FOR USE WITH THIS DOCUMENT.



HERMES F. NORERO, P.E.
FLORIDA LICENSE NO. 73778
BUILDING DROPS, INC.
398 E. DANIA BEACH BLVD. # 338
DANIA BEACH, FL 33004
FBPE CERT. OF AUTHORIZATION No. 29578

FL #: **FL16841**

DATE: **08.19.13**

DWG. BY: **SSM** CHK. BY: **MS**

SCALE: **NTS**

DWG. #: **PC0018**

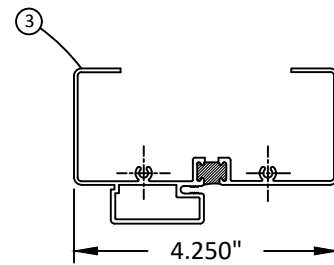
SHEET

6

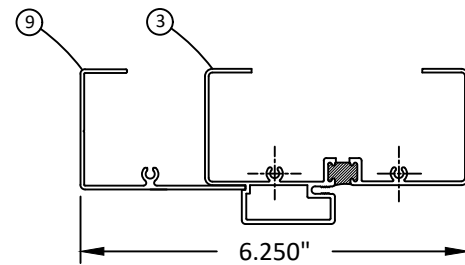
OF 7

9/5/2023 2:07 PM
 z:\projects\plyco corp\cc-23-0750.1 - 2023 code change - series 927b\dwgs\pco018 specimens 1 & 2 new working.dwg

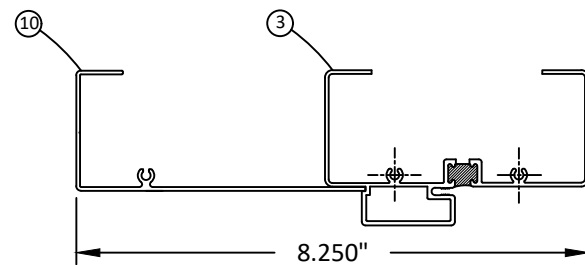
FRAME EXTENSIONS (HEADER)



4 1/4" JAMB DEPTH

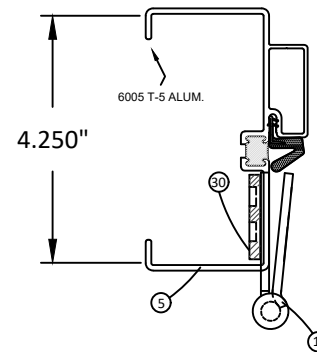


6 1/4" JAMB DEPTH

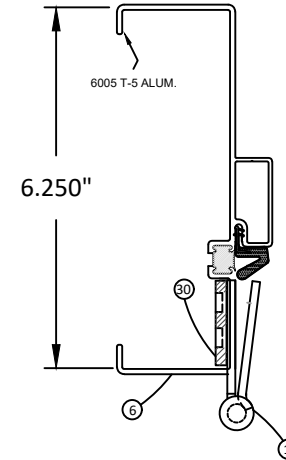


8 1/4" JAMB DEPTH

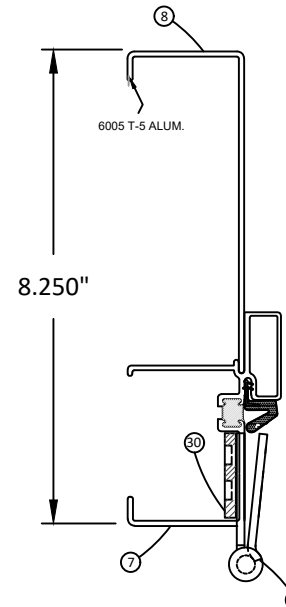
FRAME EXTENSIONS (JAMBS)



4 1/4" JAMB DEPTH



6 1/4" JAMB DEPTH



8 1/4" JAMB DEPTH

PLYCO

PLYCO CORPORATION
 P.O. BOX 386
 500 INDUSTRIAL RD.
 ELKHART LAKE, WI, 53020
 PH.: (920) 876-3611 FX: (920) 876-3527

TITLE:
 SERIES 927B SINGLE
 INSWING/OUTSWING GLASS
 DOOR W/ LOCK & DEADBOLT
 OPTIONAL FRAME EXTENSIONS
 DETAIL

PREPARED BY:
BUILDING DROPS, INC.
 398 E. DANIA BEACH BLVD., STE. 338
 DANIA BEACH, FL 33004
 PH: (954) 399-8478
 FAX: (954) 744-4738
 WEB: www.buildingdrops.com



REMARKS	BY	DATE
5TH FBC CODE CHANGE	AM	10.10.16
6TH FBC CODE CHANGE	SM	02.19.18
FBC CODE CHANGE	FB	08.22.23

THE INSTALLATION DETAILS DESCRIBED HEREIN ARE GENERIC AND MAY NOT REFLECT ACTUAL CONDITIONS FOR A SPECIFIC SITE. IF SITE CONDITIONS CAUSE INSTALLATION TO DEVIATE FROM THE REQUIREMENTS DETAILED HEREIN, A LICENSED ENGINEER OR ARCHITECT SHALL PREPARE SITE SPECIFIC DOCUMENTS FOR USE WITH THIS DOCUMENT.



FL #:
FL16841

DATE: **08.19.13**

DWG. BY: **SSM** CHK. BY: **MS**

SCALE: **NTS**

DWG. #: **PCO018**

SHEET

7